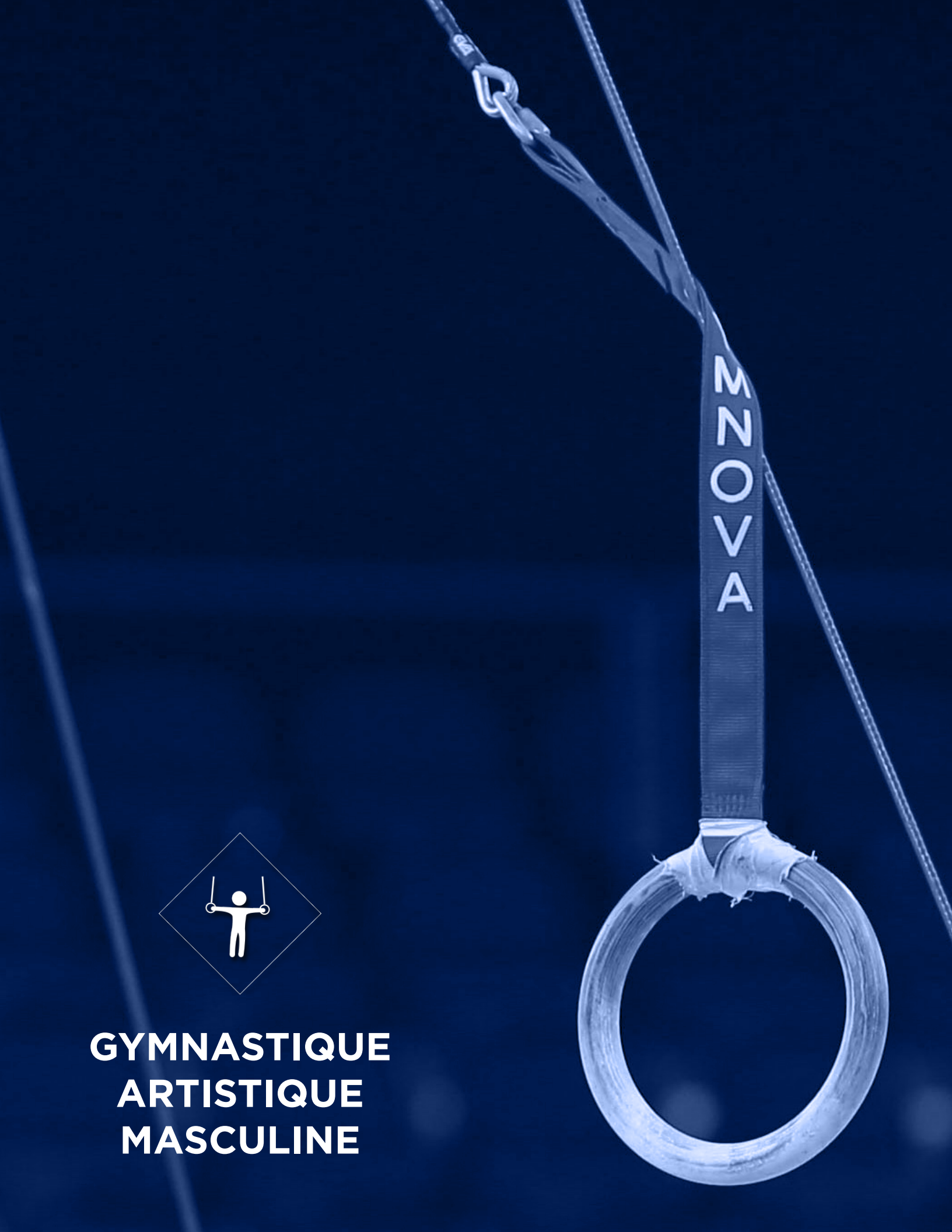




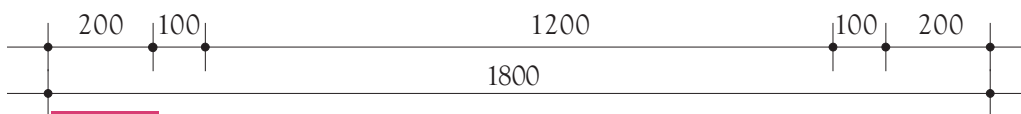
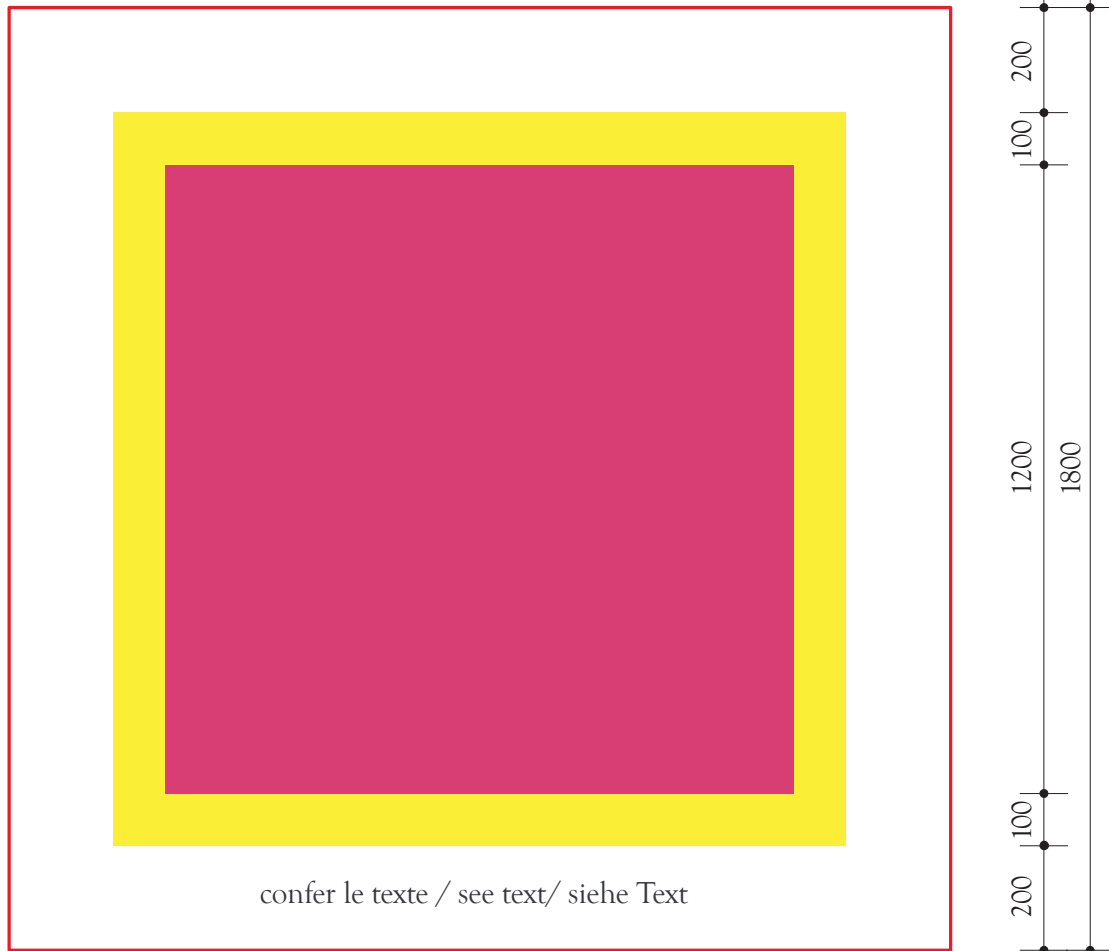
NORMES DES ENGINES





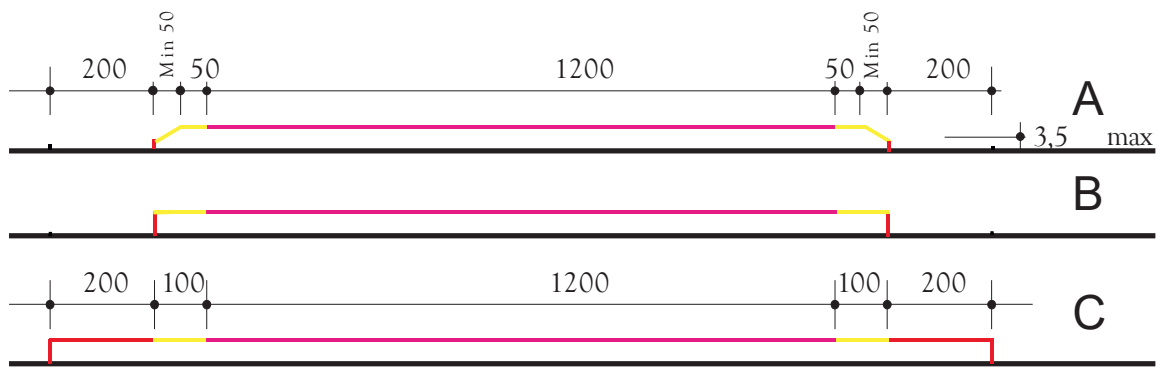
**GYMNASTIQUE
ARTISTIQUE
MASCULINE**

Practicable

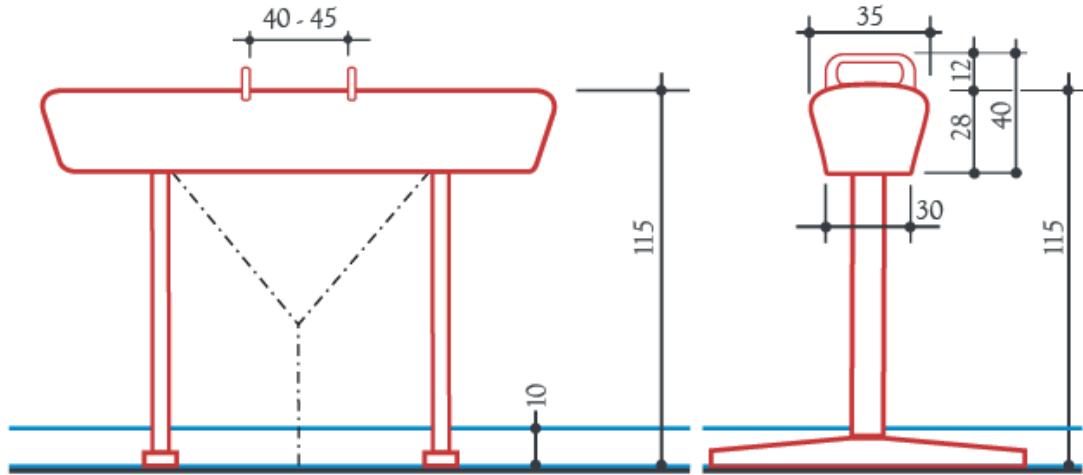


- surface de compétition, arena, Wettkampffläche
- cadre, edge, Umrandung
- zone de sécurité, safety zone, Sicherheitszone

variantes, profile - variants, Schnitt - Varianten A, B, C

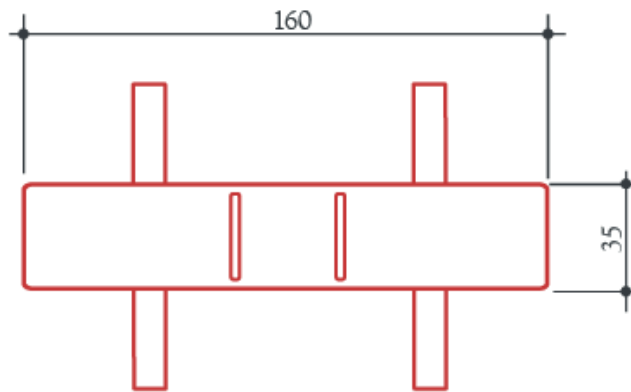
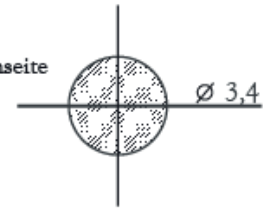


Cheval d'arçons

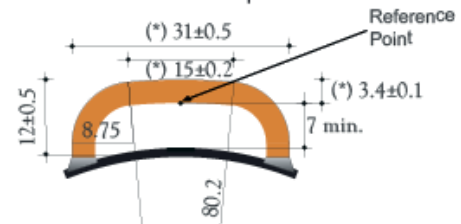


vue de côté
side view
Ansicht Längsseite

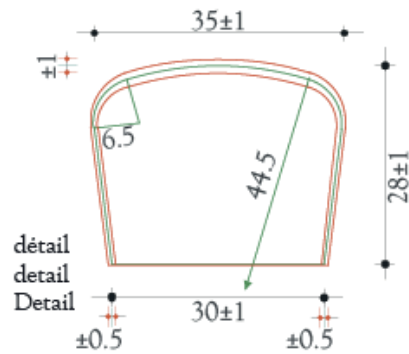
vue de face
front view
Ansicht Stirnseite



vue de dessus
top view
Aufsicht



(*) These measures shall be fulfilled 5 cm below and above the Reference Point



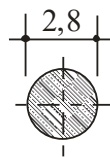
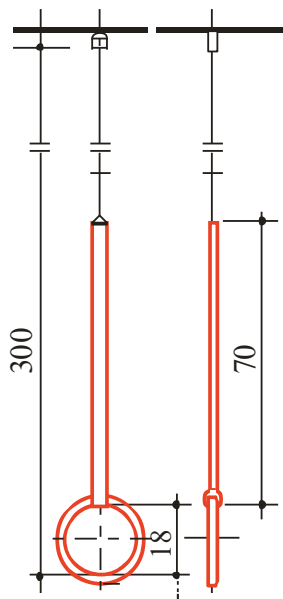
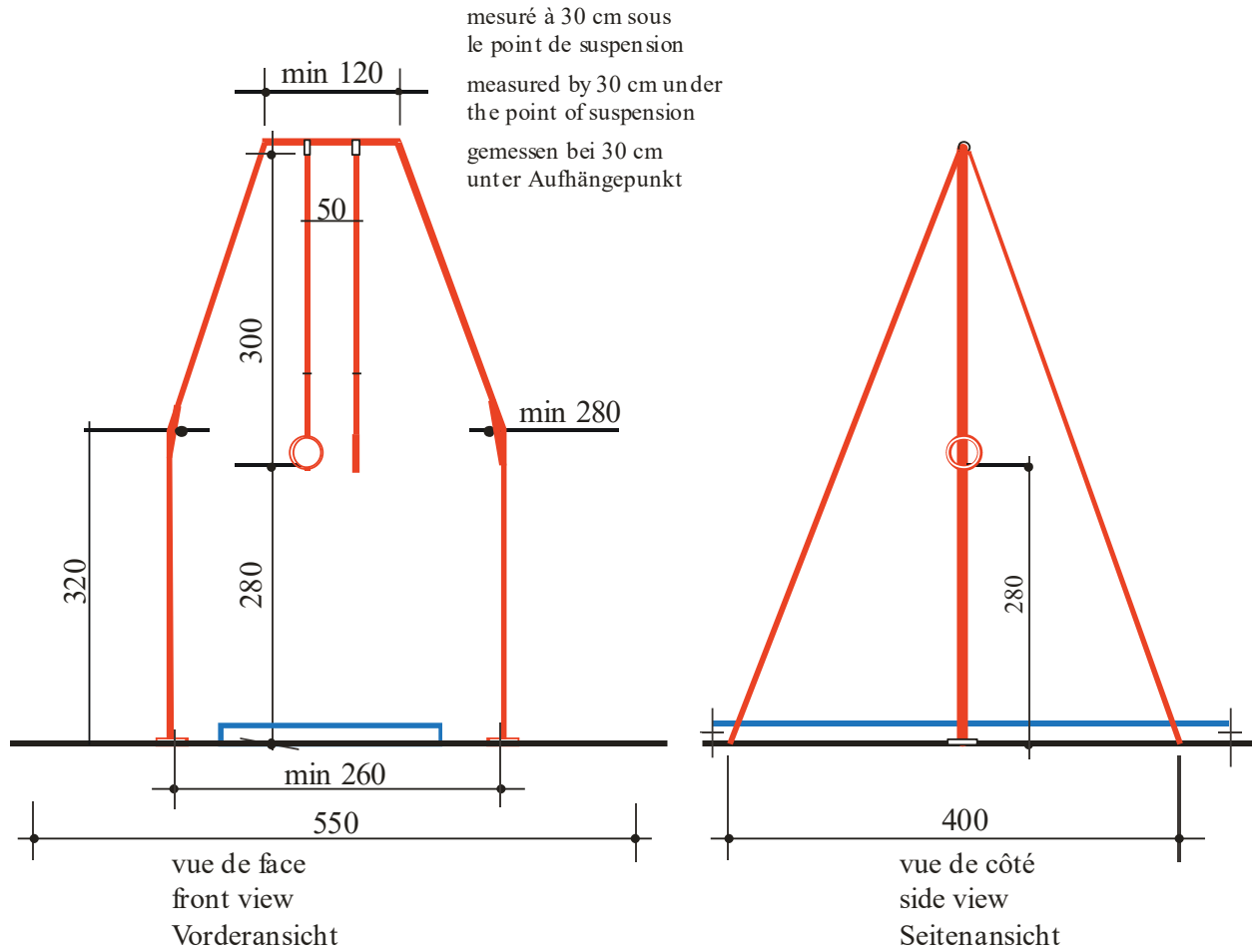
détail
detail
Detail

cotes obligatoires;
construction selon le gé;
dessin en exemple

dimensions: mandatory;
design: at your discretion;
drawing: typical example

Maße bindend;
Konstruktion freigestellt;
Zeichnung als Beispiel

Anneaux

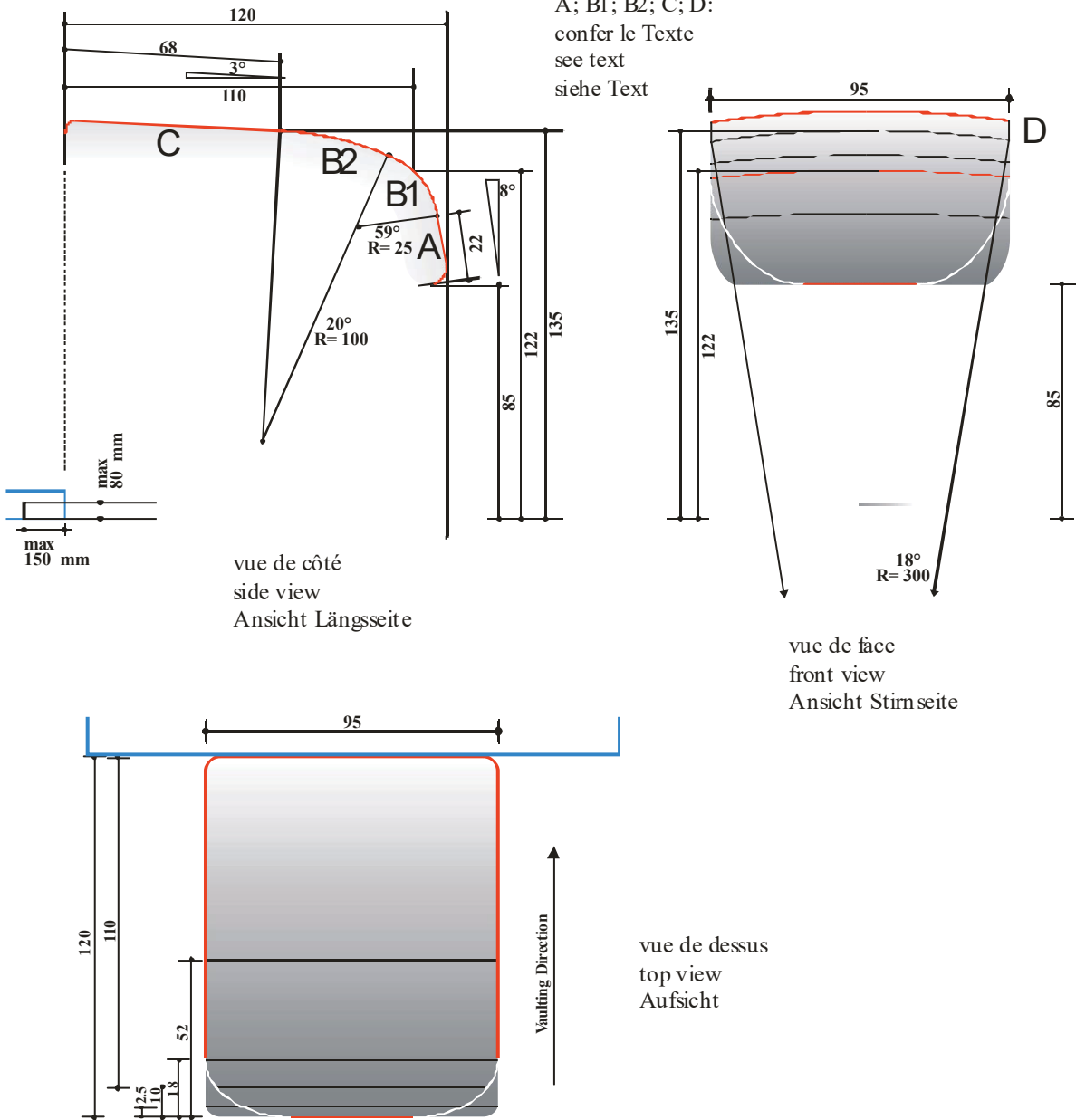


cotes obligatoires;
construction selon le gré;
dessin en exemple

dimensions: mandatory;
design: at your discretion;
drawing: typical example

Maße bindend;
Konstruktion freigestellt;
Zeichnung als Beispiel

Table de saut

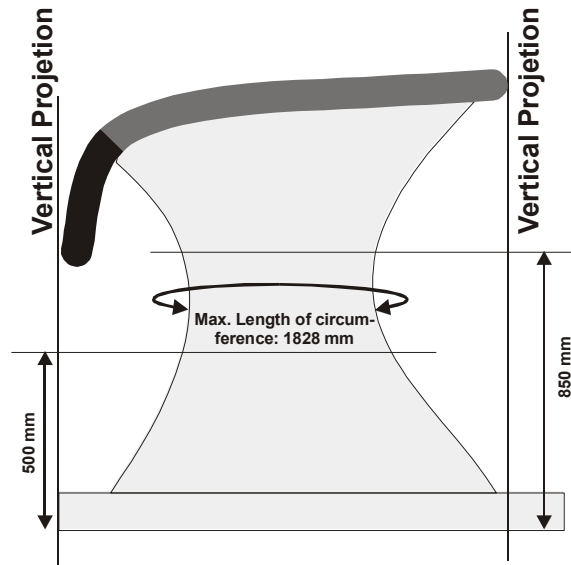
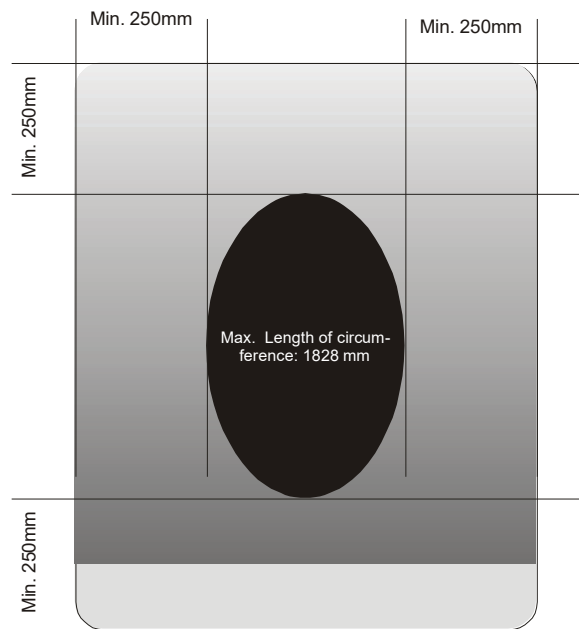


cotes obligatoires;
construction selon le gré;
dessin en exemple

dimensions: mandatory;
design: at your discretion;
drawing: typical example

Maße bindend;
Konstruktion freigestellt;
Zeichnung als Beispiel

Table de saut

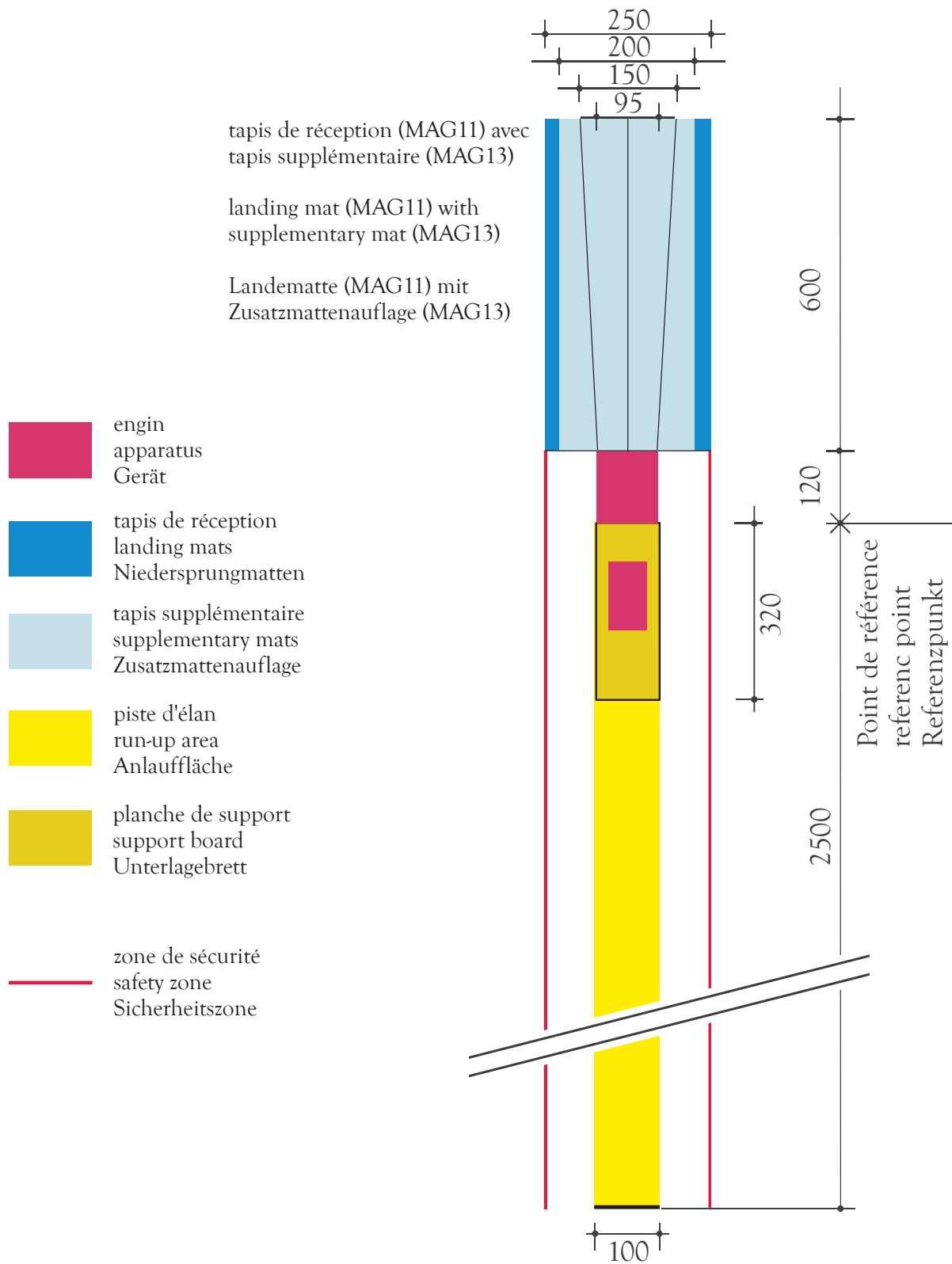


cotes obligatoires;
construction selon le gré;
dessin en exemple

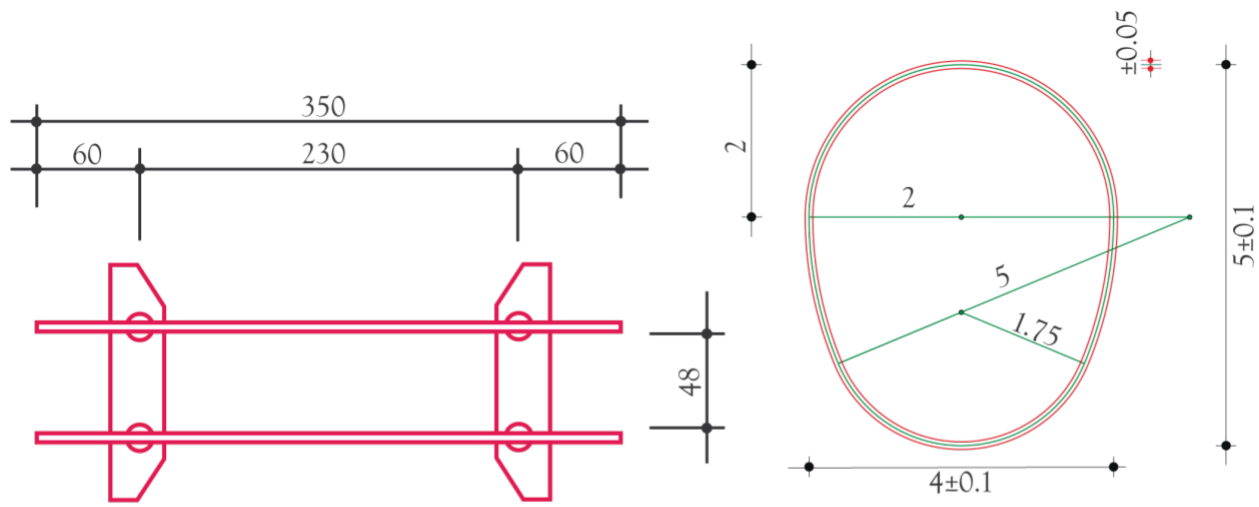
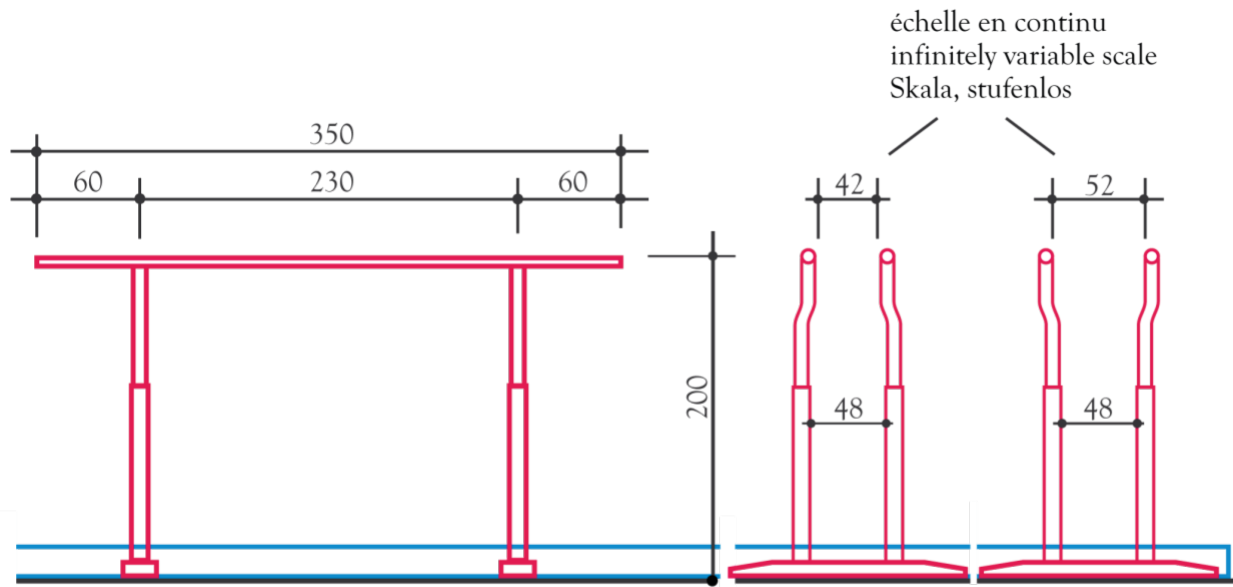
dimensions: mandatory;
design: at your discretion;
drawing: typical example

Maße bindend;
Konstruktion freigestellt;
Zeichnung als Beispiel

Table de saut

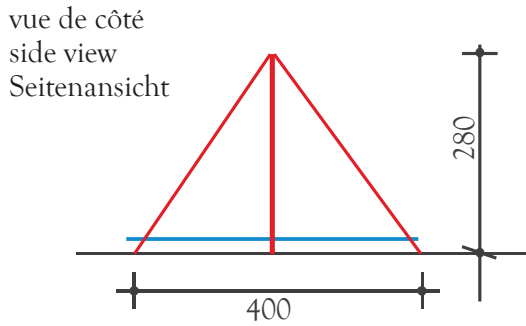
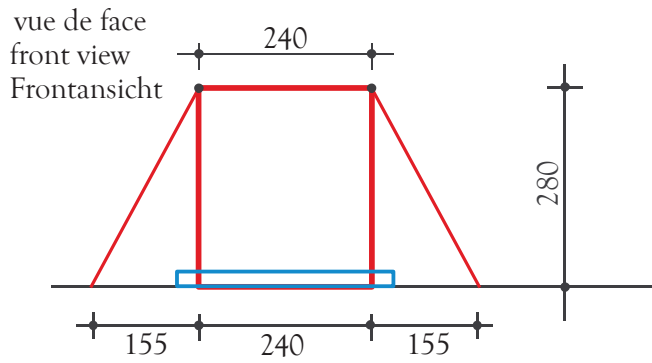


Barres parallèles

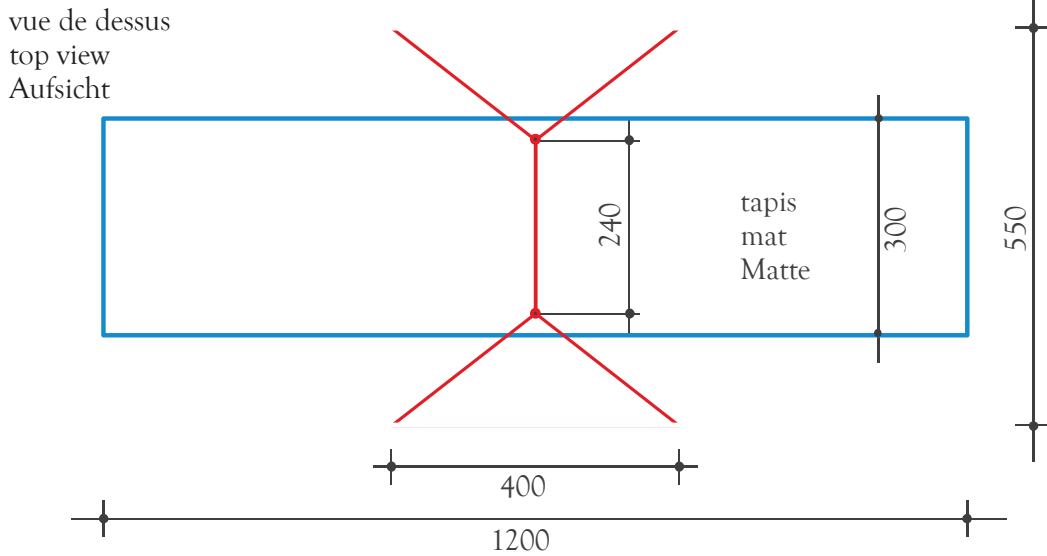
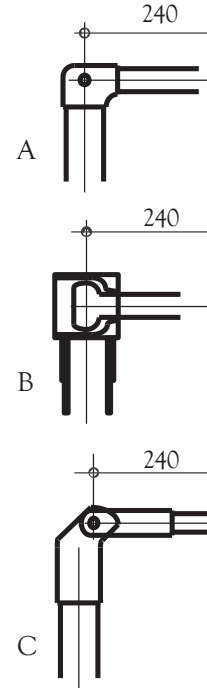


cotes obligatoires; construction selon le gré; dessin en exemple	dimensions: mandatory; design: at your discretion; drawing: typical example	Maß e bindend; Konstruktion freigestellt; Zeichnung als Beispiel
--	---	--

Barre fixe



point de mesure pour différents systèmes
de fixation de la barre
measurement point with variantes of supports
Meßstelle bei Varianten von Reckauflagen



surface d'appui 550 x 1200
floor area for apparatus 550 x 1200
Gerätstellfläche 550 x 1200

cotes obligatoires;
construction selon le gré;
dessin en exemple

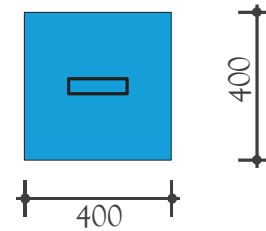
dimensions: mandatory;
design: at your discretion;
drawing: typical example

Maße bindend;
Konstruktion freigestellt;
Zeichnung als Beispiel

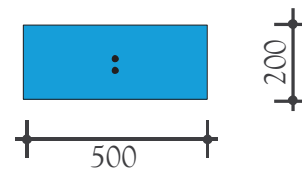
Tapis de réception

cotes minimales en cm, minimum dimensions in cm, minimale Maße in cm

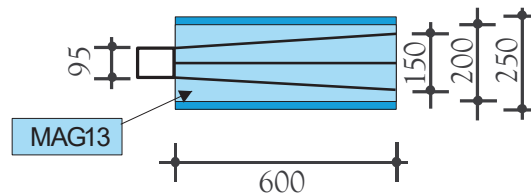
MAG 2
cheval d'arçons
pommel horse
Pauschenpferd



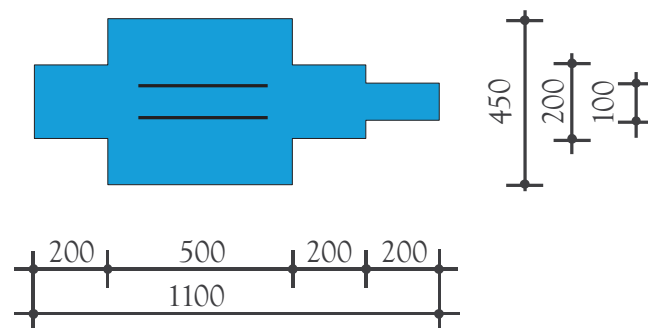
MAG 3
anneaux
rings
Ringe



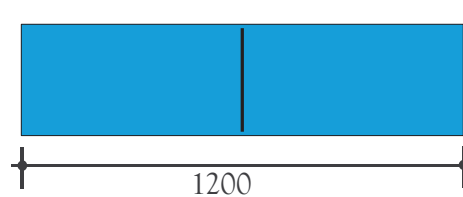
MAG 4
saut
vault
Sprung



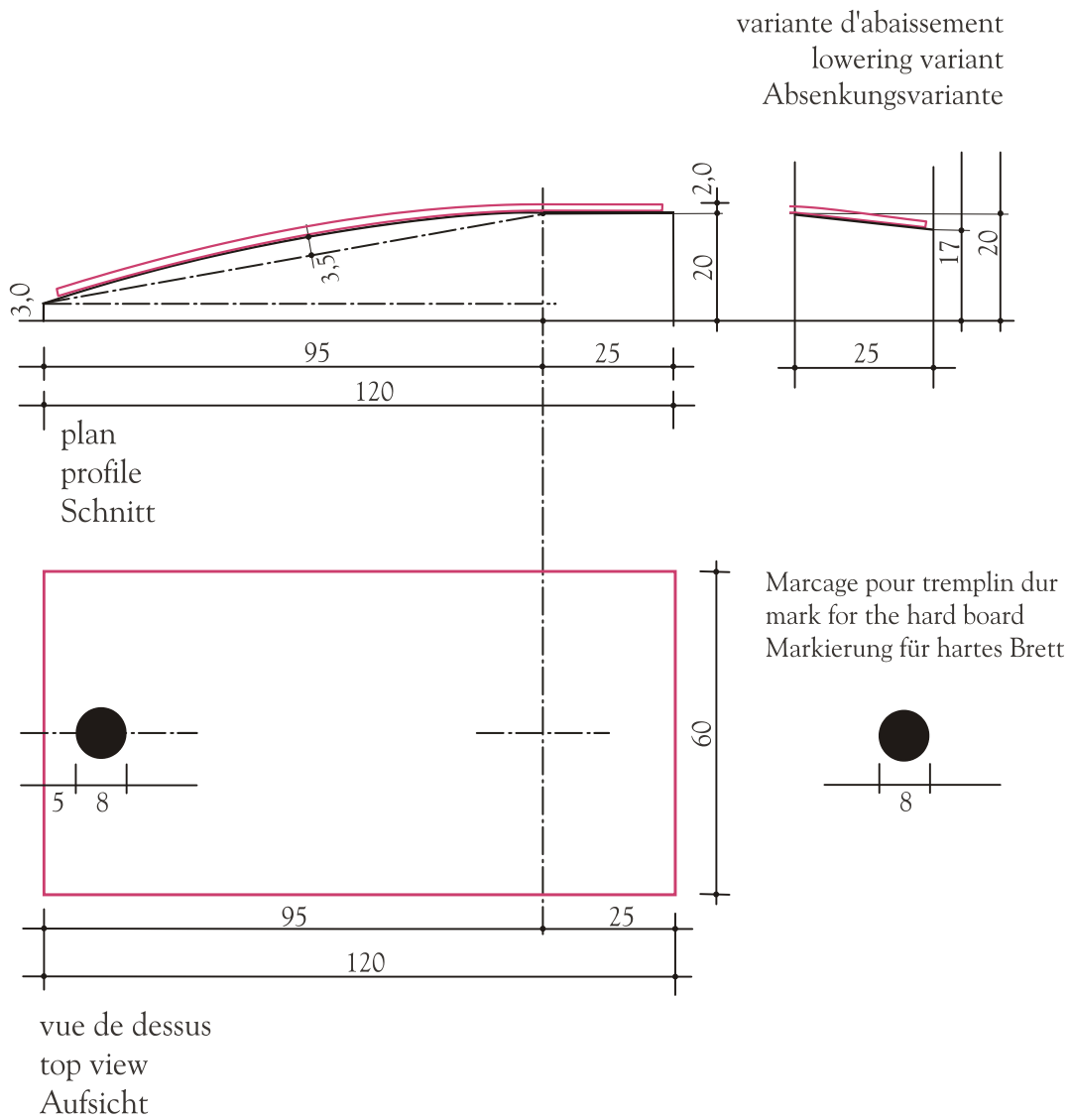
MAG 5
barres parallèles
parallel bars
Barren



MAG 6
barre fixe
horizontal bar
Reck



Tremplin

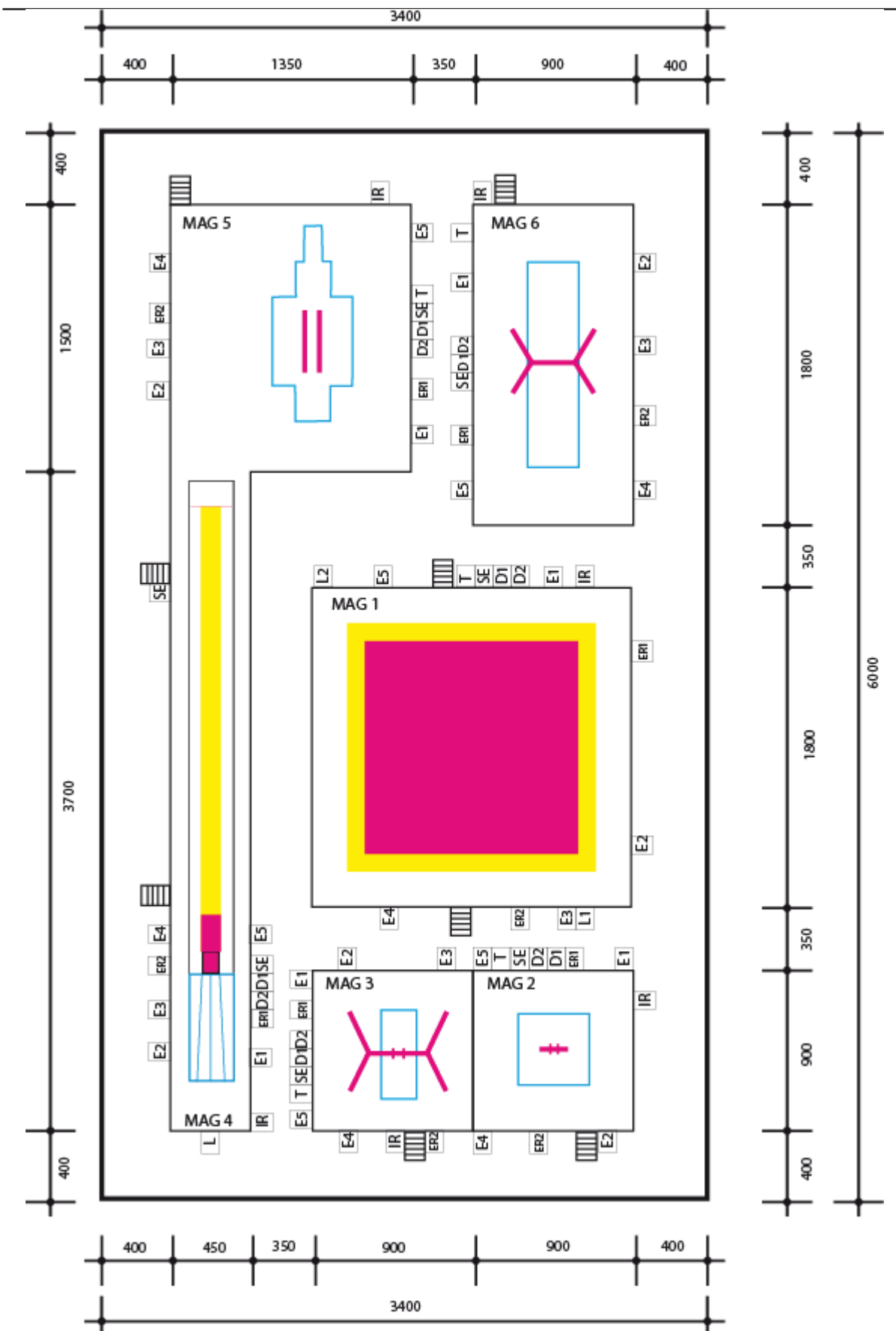


cotes obligatoires;
construction selon le gré;
dessin en exemple

dimensions: mandatory;
design: at your discretion;
drawing: typical example



Maße bindend;
Konstruktion freigestellt;
Zeichnung als Beispiel

Arena - Gymnastique Artistique Masculine



GAM - Formulaire A de contrôle des agrès

(Forms B: see FIG Apparatus Norms Part IV)

 APPARATUS CONTROL A - MAG GYMNASTICS		
Apparatus: MAG		Competition: Name of the Competition
		Date:
Note: Measurements taken from the floor to the top of the apparatus		
Floor	Stipulation	Result - Action
Surface area	12x12m including delimitation line	
Elasticity of floor		
Chalk box for feet		
Pommel Horse	Stipulation	Result - Action
Height of horse	115 cm +/- 1cm, measured from floor	
Levers and knob covered	Protection of anchor and floor support	
Height of landing mats	10 cm +/- 1 cm	
Dimension of mat surface	min. 400 cm x 400 cm	
Still Rings	Stipulation	Result - Action
Height of rings	280 cm +/- 1 cm, measured from floor	
Dimension of mat surface	min. 200 cm x 500 cm	
Core and surface of mat	visual and tactile control of the landing area under the rings. Damages?	
Vaulting Table	Stipulation	Result - Action
Height	135 cm +/- 1 cm measured 68cm from landing end	
Levers and knob covered		
Protection of anchor and floor supports under apparatus		
Protection for space between landing mat and vaulting table		
Safety collar: different color from carpet of spring board		
Enhanced color of round-off hand placement mat		
Parallel Bars	Stipulation	Result - Action
Height of bars	200 cm +/- 1 cm from floor	
Distance between bars	42 cm to 52 cm	
Mat between bases	Total mat surface horizontal, even, without gaps	
Dimension of mat surface	min. 450 cm x 1100 cm	
Horizontal Bar	Stipulation	Result - Action
Height of bars	280 cm +/- 1 cm, measured from floor	
Dimension of mat surface	min. 300 cm x 1200 cm	
2 extra soft landing mats	200 cm * 400 cm	
Springboards	Stipulation	Result - Action
Height	20 cm +/- 1 cm, Cushion cover 2 cm +/- 0,05 = Total 22 cm +/- 1,5 cm	
1 hard and 1 soft board at the vault	hard board marked with a dot springs fixed	
1 soft board at the parallel bars	springs fixed	
Mats	Stipulation	Result - Action
Height of all landing mats	20 cm +/- 1 cm (except pommel horse -10 cm)	
Height of all extra soft landing mats	10 cm	
Mats surface	horizontal, even, without gaps	
Extra soft landing mat at the vault	600 cm * 200 cm ; with lines	
2 extra soft landing mats at high bar	400 cm * 200 cm	

Podium training

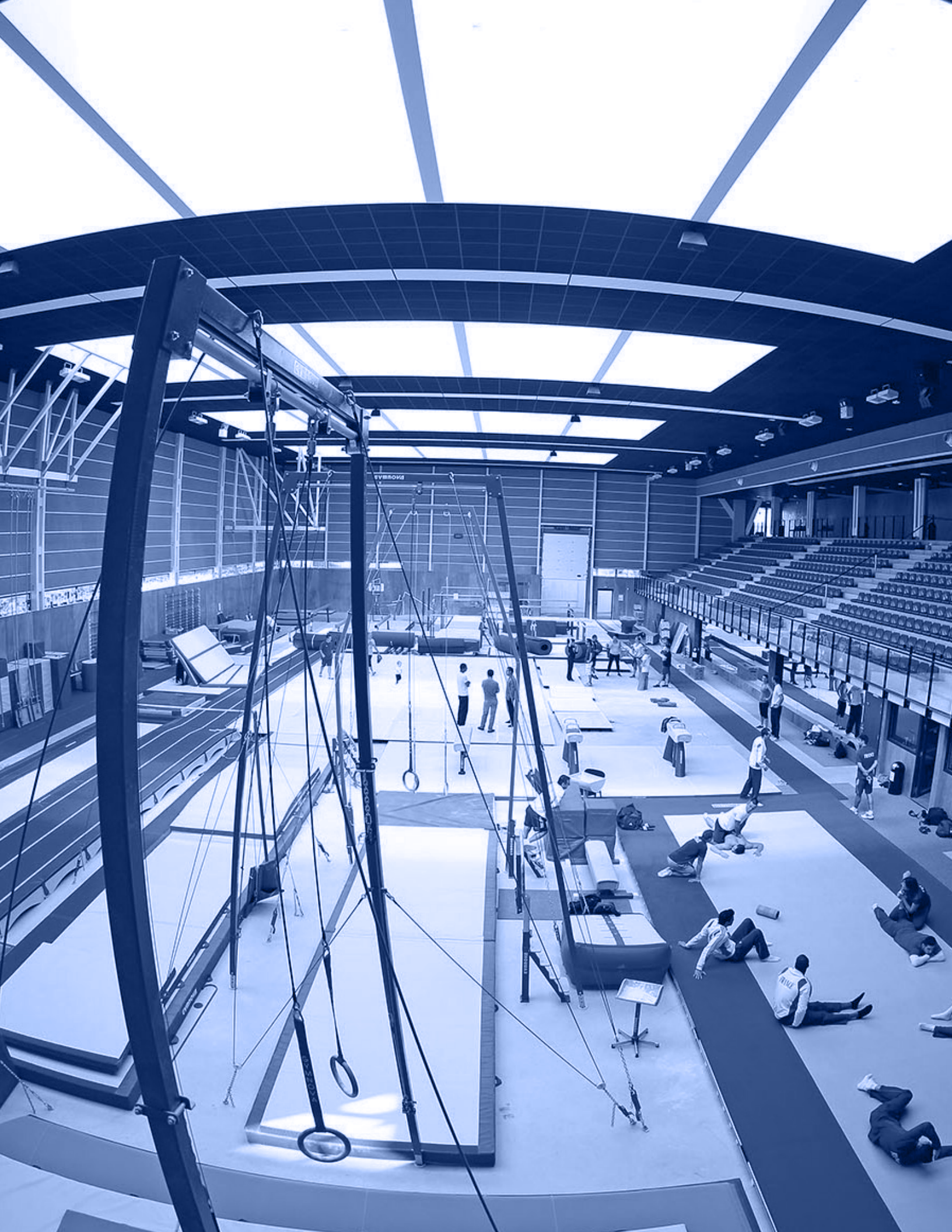
Qualification round

Final

Team Final

Signature

Time & date



Discipline	Apparatus	Area (meters)	Height of hall (prescription) if so, from Podium (min. meters)	Height of hall International Arena (recommended) if so from Podium (min. Meters)
MAG Men's Artistic Gymnastics	MAG 1 Floor	18.00 x 18.00	7.00	8.00 – 10.00
	MAG 2 Pommel Horse	4.00 x 4.00		
	MAG 3 Rings	6.00 x 6.00		
	MAG 4 Vaulting Table	5.00 x 35.00		
	MAG 5 Parallel Bars	6.00 x 12.00		
	MAG 6 Horizontal bar	6.00 x 12.00		

FÉDÉRATION
FRANÇAISE
Gym

